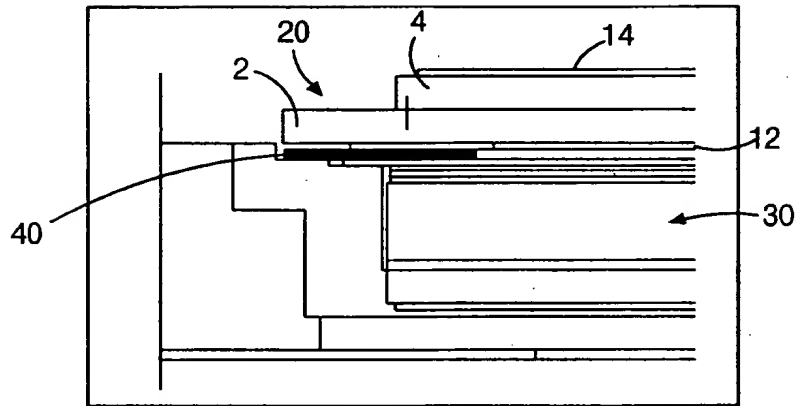
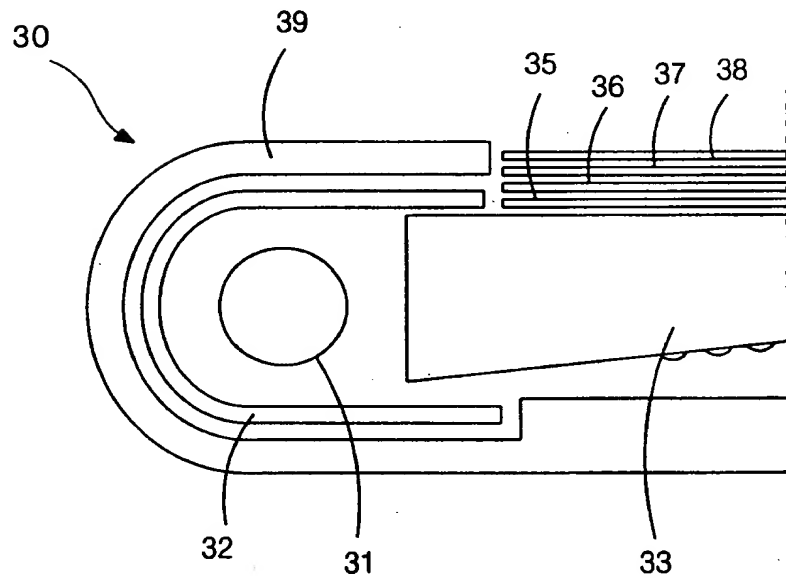


Fig.1
(Related Art)



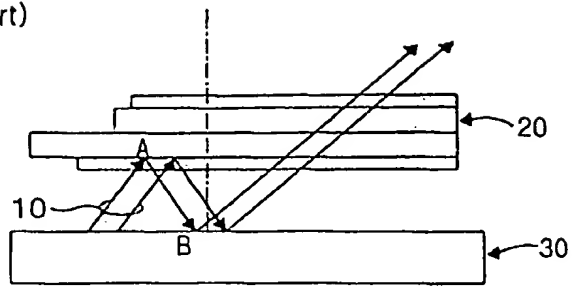
BEST AVAILABLE COPY

Fig.2
(Related Art)



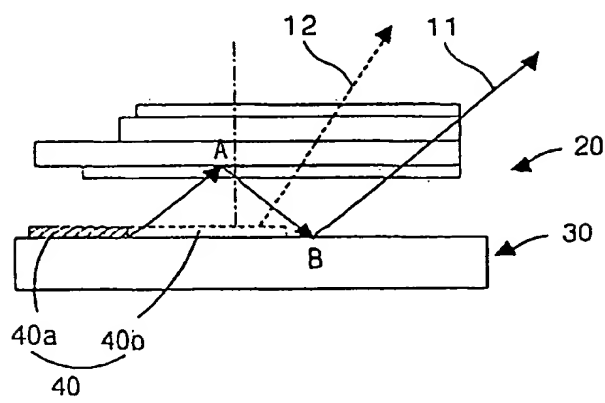
002221" 423460

Fig.3
(Related Art)



BEST AVAILABLE COPY

Fig.4
(Related Art)



004221 423460

004227 428460

Fig.5

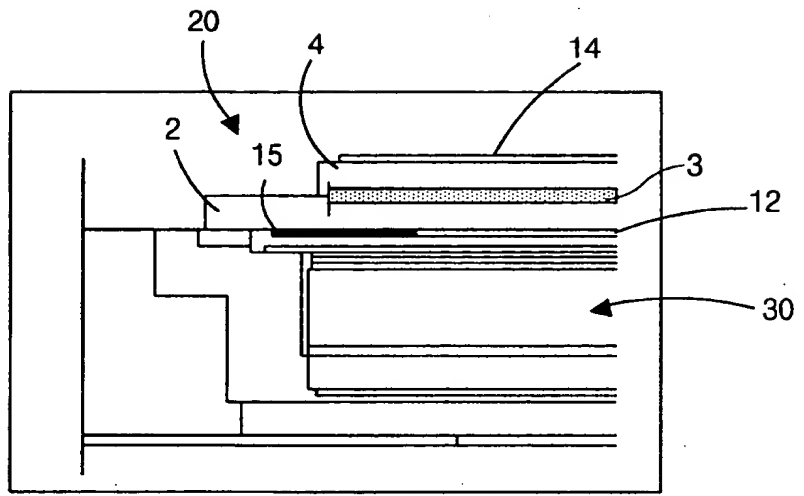


Fig.6

BEST AVAILABLE COPY

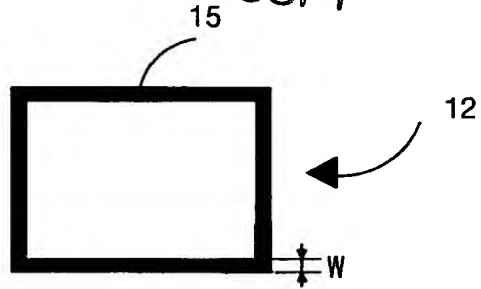


Fig.7

